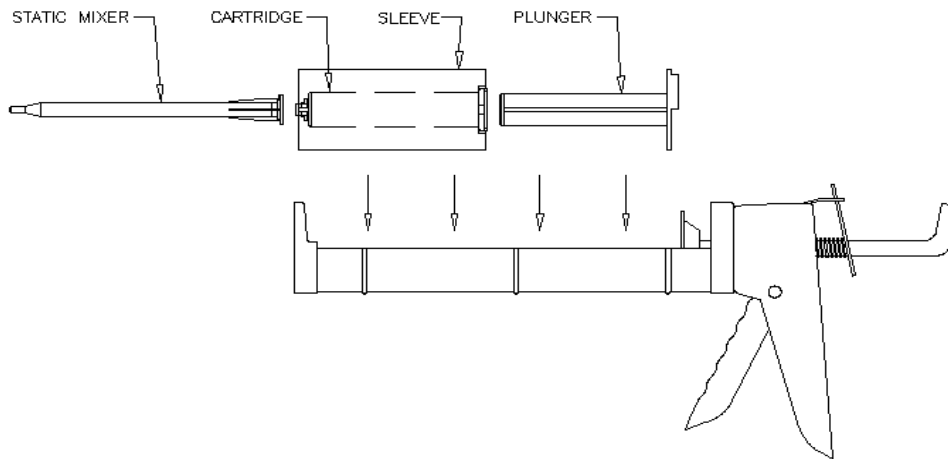


### How to use...

## 50ml DuoSyringe Systems

*Using the converter kit for caulking guns*



### Description

The DuoSyringe system enables resin and hardener components to be mixed and dispensed accurately and reliably.

### Instructions

1. Remove cap by twisting through 90° and pulling away from cartridge.
2. Reverse the above operation to fit nozzle.
3. Insert DuoSyringe assembly into clear plastic sleeve.
4. Align plunger and the sleeve containing the DuoSyringe and insert into caulking gun, as shown above.
5. Dispense material by pulling trigger as required.

### Guidance Notes

- 50ml DuoSyringe Systems are identified by their part numbers. The part number will include "DS-050" \*.
- If material is left in the mixer nozzle for longer than the work life, as described on the Technical Data Sheet, a new mixer nozzle should be attached.
- To reseal the cartridge either leave the nozzle attached allowing the cured adhesive to create a seal or remove mixer nozzle and replace cap ensuring the area is clean.
- If using the cap to reseal the cartridge, ensure it is replaced as removed to avoid cross-contamination.
- Whilst every effort is made, the DuoSyringe pistons may not be level and the first 2-4ml of material should be discarded.

\* Not available for RT183-DS-050.